



Homeadapt stairlifts

For your independence





The Homeadapt range; the Elan and the Elite Straight for straight staircases and the Elite Curve for stairs with one or more bends.

Homeadapt Stairlifts

The ideal stairlifts if you are looking for quality and durability.

Installing a stairlift is going to help you retain access to the upstairs of your home. You will once again be able to enjoy the freedom that you had before the stairs became a challenge.

We offer two stairlifts for straight staircases and one which can travel around corners. The stairlifts can be fitted on either side of the stairs. The lift track is fixed to the steps of the stairs, not the wall. All models deliver a comfortable, smooth and quiet ride.

When you have chosen your Homeadapt stairlift, your stairlift representative will measure your staircase, provide you with a price quote and order your stairlift when you are ready. The installation is quick; between one hour and half a day, depending on the complexity of your staircase. Homeadapt stairlift dealers are fully trained to install and service your stairlift, and you can with confidence turn to them with questions and concerns.



“ My day is so much easier and more enjoyable since I got my stairlift. It feels like I have taken back my freedom and it feels wonderful.



The foot plate and the carriage safety sensors stop the lift if an obstacle is in the way.



With the remote controls you can call or send the lift by pressing a button.

Safety Should anything get in the way of the stairlift as you are operating it, there are safety sensors on the foot plate and the carriage that will immediately stop the lift. A dual braking system makes our stairlifts among the safest in the world. The electromagnetic braking system is complemented by a self-locking gear box and overspeed brake which completely ensure your safety. The Homeadapt stairlifts are equipped with an offset swivel function which allows the seat to turn fully, leaving no gap between seat and landing. This enables the user to alight safely with both feet firmly on the floor.

Operation All our stairlifts are fitted with a directional control switch in the armrest of your choice. This rocker switch is pressed in the direction of travel to operate the lift. A toggle switch is available as an option.

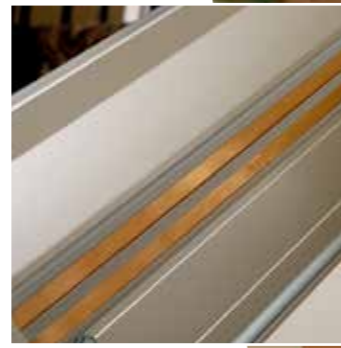
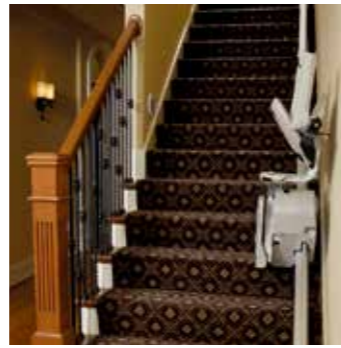
Battery powered Homeadapt stairlifts use two 12-volt batteries that are powered by a charger that plugs into any household outlet. The stairlift batteries will be charged when the stairlift is in a parked position. You have access to upstairs and downstairs in your home, even when the electrical service is interrupted.

Compact There is a common rail for the two straight rail stairlifts. The exceptionally slim, anodized aluminium, upright rail is installed close to the wall. After use the seat, armrests and footrest are easily folded up into a position where they remain out of the way, allowing passage to family and friends using the stairs.

Wireless Two wireless remote controls can be used to send or call the stairlift by pressing a button.

Folding rail option If there is a doorway at the bottom of your staircase that would be obstructed by the rail you can opt for a hinged rail section at the bottom that can be folded up and out of the way, either manually or automatically. Should a curved rail intrude across a doorway at the bottom of the stairs, instead of using a hinged rail, the stairlift is parked around the corner, away from the stairs.

The Elan offers exceptional quality at a budget price with many useful features such as the ability to park and charge the stairlift anywhere along the rail, and a very compact folded width.



The Elan

A high performance yet affordable stairlift.

Compact The design of the Elan stairlift is very space efficient, leaving plenty of room to walk on the stairs. The slim rail can be installed as close as 127 mm from the wall and with the armrests, seat and footrest folded the Elan takes up only 305 mm.

Generous and adjustable The 509 mm wide seat of the Elan stairlift is among the more generous on the market today. The seat height is adjustable to suit the individual user. The weight capacity is 136 kg.

Rail profile The Homeadapt straight rail profile is the least intrusive in the market. Our philosophy is that the rail should have a modest impact on the home. The result is a unique and attractive design.

Powered options Your existing Elan stairlift can, at any time, be upgraded with three powered options, powered swivel action, powered folding footrest and powered folding rail. Whether you need it right now or may need it in the future; an upgrade does not require that you replace your carriage as is the case with many other stairlifts.

Parking and charging With its continuous charge strip along the entire rail, the batteries of the Elan can charge regardless of where the lift is parked. By using the remote control the stairlift can be parked anywhere on the rail; removing potential obstruction from the hallway and leaving the lift out of sight.

Installation The simplicity in design makes the Elan easy and quick to install.





The Elite seat swivels at the top and bottom of the stairs. Manual swivel only.

The Elite Straight

A superior stairlift with a luxurious seat, a slimline rail and a unique weight capacity of 190 kg.

Superior comfort The seat of the luxurious Elite-series is not only the most comfortable seat you will ever find on a stairlift. It also features a manual swivel function at both the top and bottom landing. The seat height, space between the armrest and height of the footrest are adjustable to suit the individual user. For your comfort there is also a soft-start, soft-stop feature.

Superior capacity One of the features that makes the Elite stairlift stand out among the competitors is its unique weight capacity of 190 kilos (30 stone). This stairlift is built to be the ultimate in durability and reliability.

Multitude of options The Elite provides many options to choose from to ensure that your individual needs are met. The seat swivel can be manual or powered, as can a fold-up rail if one is required. The footrest is either folded manually, or raised by folding the seat base or pressing a button on the armrest. There is a choice of rocker- or toggle switch and there is even an extra large seat available.

Rail profile The Homeadapt straight rail profile is the least intrusive in the market. Our philosophy is that the rail should have a modest impact on the home. The result is a unique and attractive design in anodized aluminium.

Charging along the rail With continuous charge strips along the rail the stairlift can be parked anywhere to charge the batteries.



The Elite Curve custom made rail follows the wall closely.



“ I decided to have a stairlift installed when I could no longer climb the stairs. It proved to be one of the best decisions I have ever made.



The Elite Curve

Supreme comfort, unparalleled ride quality and a unique weight capacity of 190 kg for staircases where one or several bends are required.

The Elite Curve can, with optional top over-run, be parked around the corner to leave the staircase clear.



Custom design The Elite Curve is custom made to suit your staircase. The design allows the stairlift to be fitted to either side of the stairs. The bend radius is tight, which means that the rail follows the wall closely even in the turns. The seat is the same exceptionally comfortable seat that can be found on the Elite straight rail lift.

Ride quality Rails for curved stairs are installed in sections that must join together as smoothly as possible to promote good ride quality. Instead of using pre-fabricated rail sections which usually produce rough joints and a jolty ride, we have elected to have the Elite Curve rail forged by experienced craftsmen to produce a seamless ride with a remarkable stability over any staircase configuration.

Options An additional charge point, a power swivel and a powered foot-plate can all be added to tailor the lift to your specific requirements, along with a wider seat for additional comfort.





The outdoor stairlifts are controlled by the user through the use of a rocker switch positioned at the end of the armrest or a remote control.

Elite Outdoor stairlifts

Designed to withstand the elements, our outdoor stairlifts allow you to navigate the stairs outside your home with confidence and ease - any time of year!

Safety Built in the United States and tested in all types of weather, the Elite Outdoor stairlifts are reliable, safe and durable. With the same quality, comfort and dependability found in any Homeadapt stairlift, the Elite Outdoor stairlifts enable you to travel from your front door to the pavement.

Equipped for the outdoors The Elite Straight and the Elite Curve are tested for use in temperatures ranging from -15°C to $+52^{\circ}\text{C}$ and have an E-coat base protection combined with outdoor paint to safeguard all steel surfaces. A marine-grade vinyl is used on armrests and seat and a weather-resistant cover protects the unit from the elements when the stairlift is not in use. Weather proof, key switched remotes are part of the standard equipment.

Comfort and function The soft stop/start provides a smooth ride from start to finish and there is a comfortable, generous seat with multiple height adjustments. The two 12v batteries ensure dependable performance even during interruption in electrical service. The armrests, seat and footrest fold up to create space for family and friends to walk up and down the stairs. All our stairlifts are equipped with obstruction safety sensors and seat belts. There are onboard audio/visual diagnostics for easy service. Both lifts have 190 kilo weight capacity.

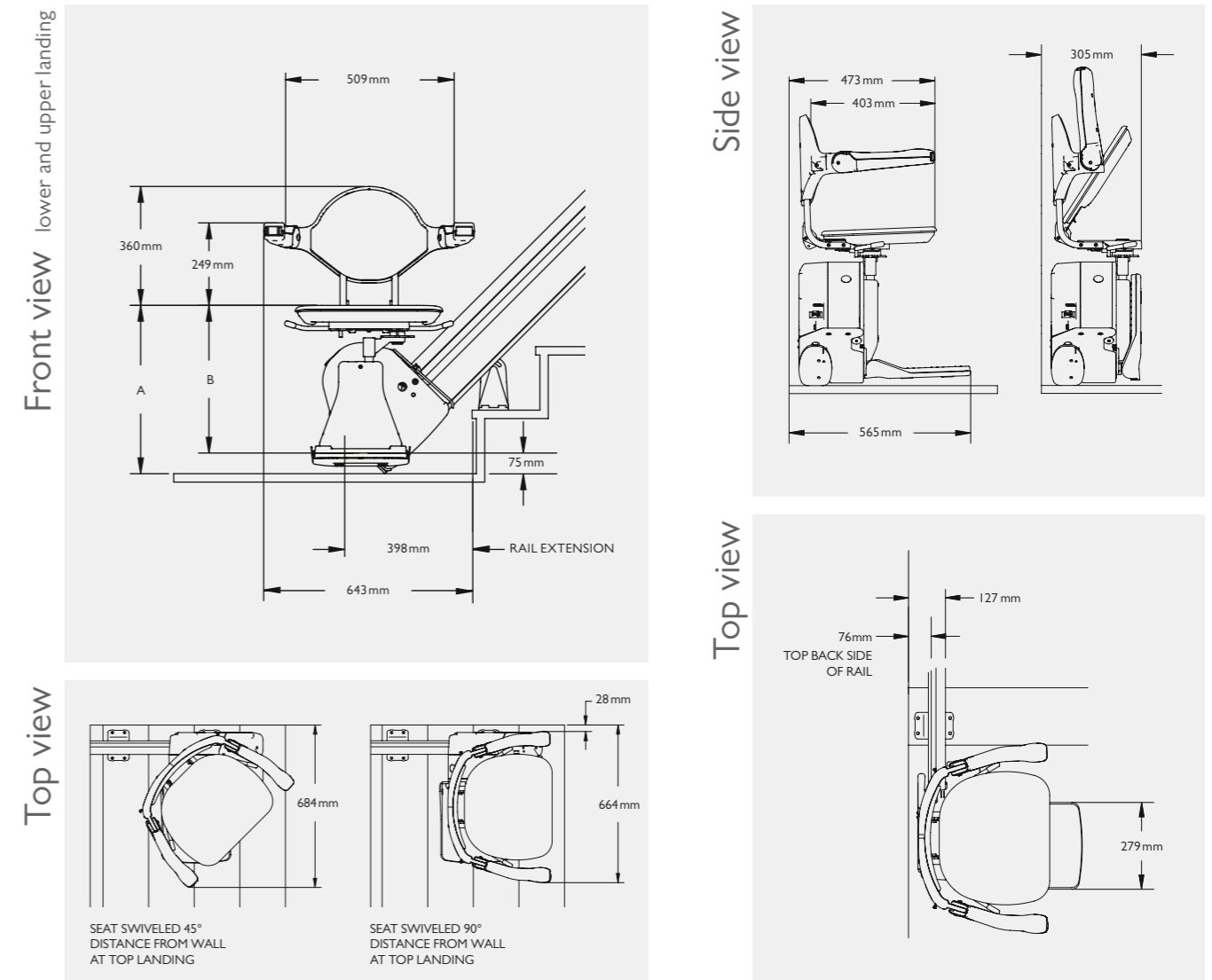


Stairlift features

Feature	The Elan	The Elit	The Elite Curve	Outdoor The Elite Straight	Outdoor The Elite Curve
Adjustable seat height	✓	✓	✓	✓	✓
Adjustable footrest height	-	✓	✓	✓	✓
Adjustable armrests, extend by 110 mm (450 to 560 mm)	-	✓	✓	✓	✓
Soft start	✓	✓	✓	✓	✓
Soft stop	✓	✓	✓	✓	✓
Manual swivel seat at top landing	✓	✓	✓	✓	✓
Manual swivel seat at bottom landing	-	✓	-	✓	-
Two remote call/send controls	✓	✓	✓	✓	✓
Seat belt with buckle	✓	✓	✓	✓	✓
Easy-to-use rocker switch	✓	✓	✓	✓	✓
On-board visual diagnostics	-	✓	✓	✓	✓
On-board audio diagnostics	✓	✓	✓	✓	✓
Folding footrest, armrests and seat	✓	✓	✓	✓	✓
Safety sensors on footplate and carriage	✓	✓	✓	✓	✓
Powered by two 12-volt batteries	✓	✓	✓	✓	✓
Rated user weight capacity	136 kg / 21	190 kg / 30	190 kg / 30 st	190 kg / 30 st	190 kg / 30 st
Optional manual folding rail	✓	✓	-	-	-
Slim-line, upright rail profile	✓	✓	✓	✓	✓
Anodized aluminium rail	✓	✓	-	✓	-
Self-locking worm gear, rack and pinion drive	✓	✓	✓	✓	✓
Optional powered seat swivel function*	✓	✓	✓	-	-
Optional powered folding footrest**	✓	✓	✓	-	-
Optional powered folding rail	✓	✓	-	-	-
Optional extra large seat, dimensions fixed 584 mm	-	✓	✓	-	-
Optional toggle switch	✓	✓	✓	✓	✓
Continuous charging along the rail	✓	✓	-	-	-
Charging on hinge section	✓	✓	-	-	-
Optional mid park and charge station	-	-	✓	-	✓
Charging station lights at top and bottom rail plates	-	-	✓	-	-
Manual override on powered options	✓	✓	-	-	-
Manual footrest level	-	-	-	✓	✓
Weather resistant cover	-	-	-	✓	✓

*Can not be combined with the mid-park option or an extra large seat.
**Operated by arm switch or seat switch.

Homeadapt Elan Dimensions



A - Seat heights

- 514 mm
- 540 mm
- 565 mm
- 590 mm

B - Seat to footrest

- minimum 439 mm
- maximum 515 mm

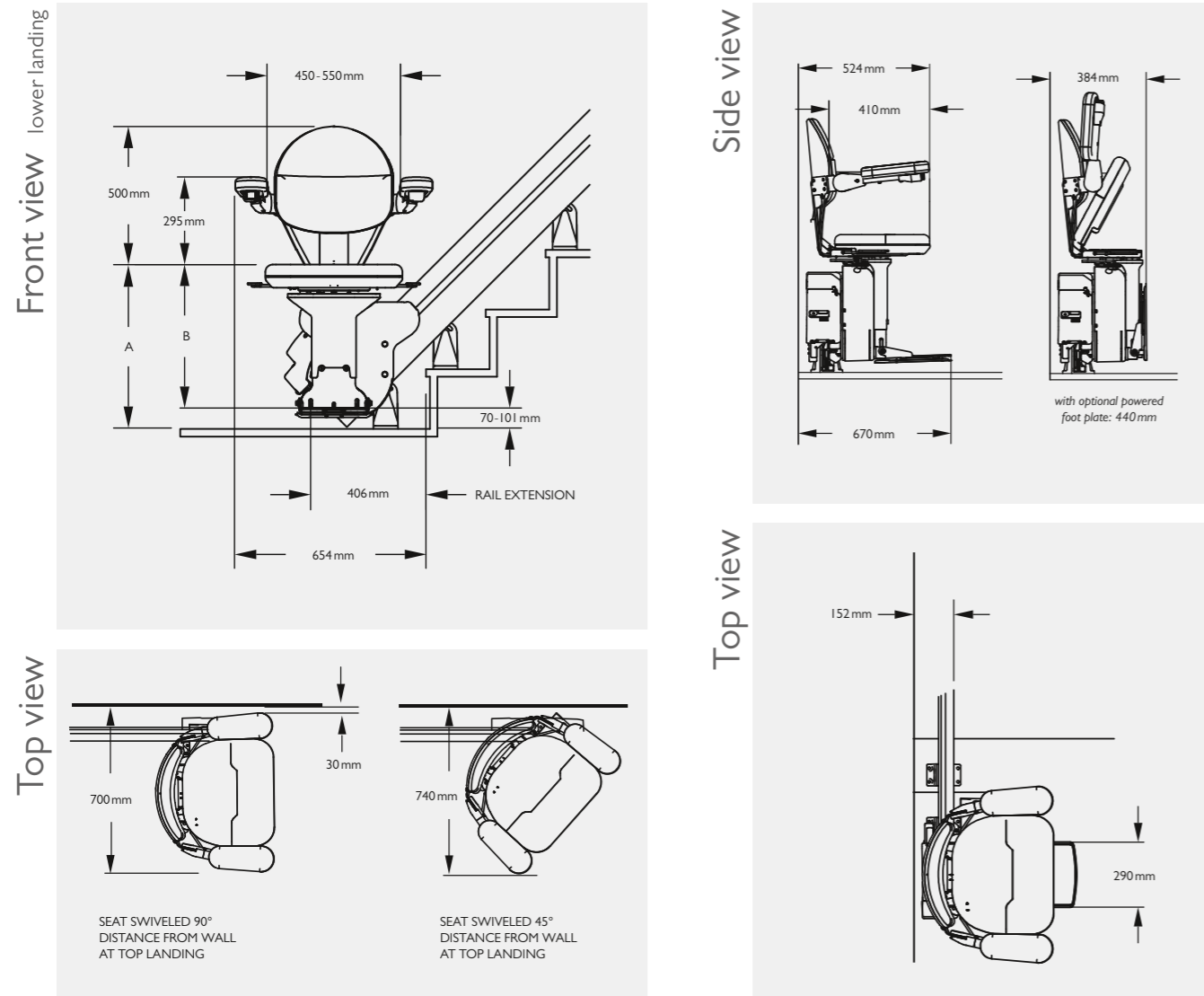
Lower landing rail extension

Lower landing extension dimensions are based on 45 degree rail slope on a 20 cm 1st riser height. Dimensions will vary based on slope and riser height.

Dimensions are approximate and depending on the slope, riser height and custom seat adjustments made for the user. Please note that the addition of a powered swivel seat increases the seat height measurement by 30 mm.

Homeadapt Elite Straight

Dimensions



A - Seat heights

552 mm
 577 mm
 603 mm
 629 mm

B - Seat to footrest

minimum 480 mm
 maximum 559 mm

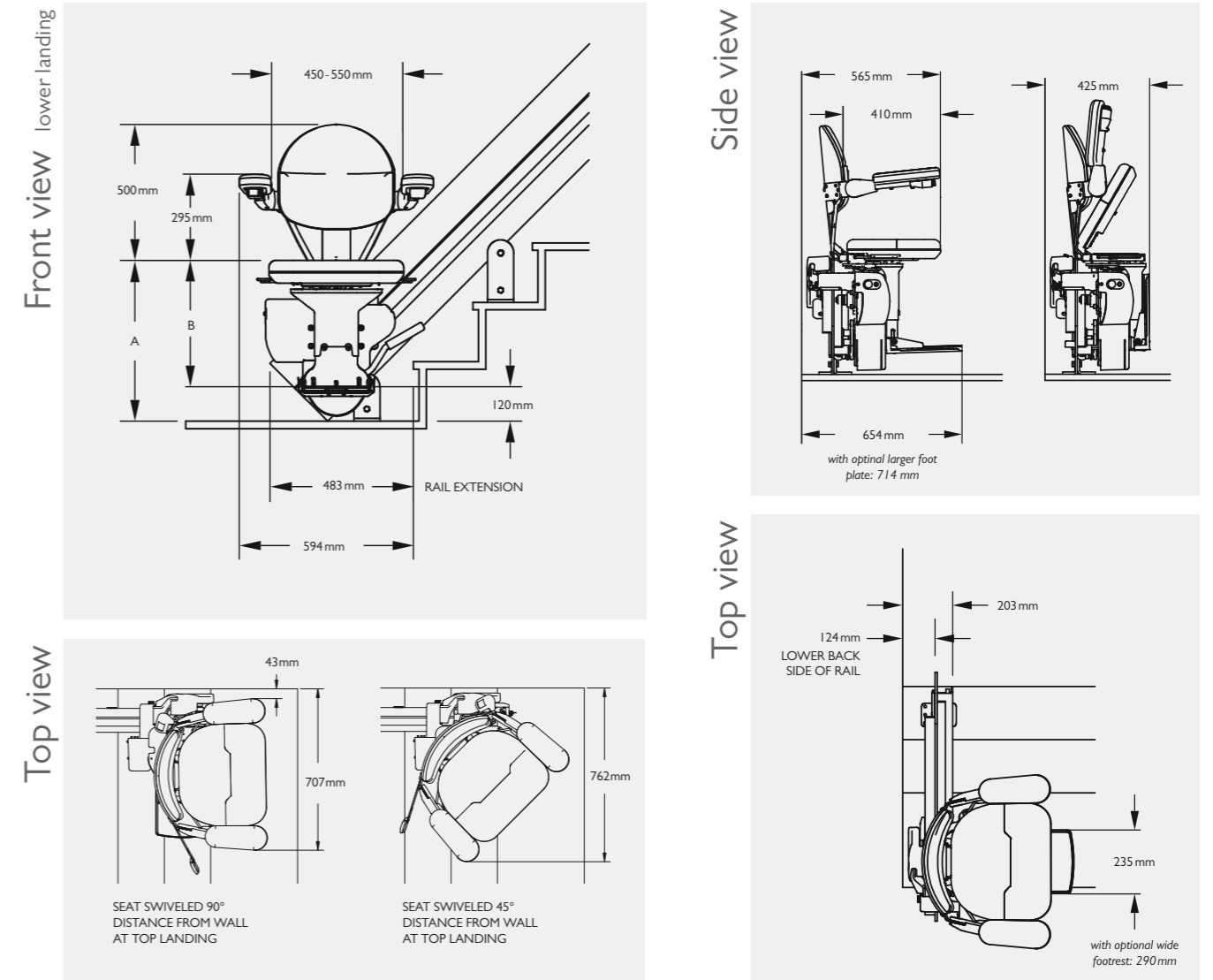
Lower landing rail extension

Lower landing extension dimensions are based on 45 degree rail slope on a 20 cm 1st riser height. Dimensions will vary based on slope and riser height.

Dimensions are approximate and depending on the slope, riser height and custom seat adjustments made for the user. Please note that the addition of a powered swivel seat increases the seat height measurement by 50 mm.

Homeadapt Elite Curve

Dimensions



A - Seat heights

560 mm
 585 mm
 611 mm
 636 mm

B - Seat to footrest

minimum 440 mm
 maximum 516 mm

Lower landing rail extension

Lower landing extension dimensions are based on 45 degree rail slope on a 20 cm 1st riser height. Dimensions will vary based on slope and riser height.

Dimensions are approximate and depending on the slope, riser height and custom seat adjustments made for the user. Please note that the addition of a powered swivel seat increases the seat height measurement by 50 mm.

Stairlifts from Homeadapt

Homeadapt UK Ltd. is a wholly owned subsidiary of Bruno Independent Living Aids in the United States. Homeadapt stairlifts are manufactured exclusively by Bruno. Our stairlifts are tested to American, Canadian and European standards guaranteeing safety in use. Bruno was founded in 1984 and is North America's largest producer of stairlifts. Homeadapt and Bruno are ISO-9001 certified, which ensures that the stairlifts you select for your home meet the highest standards of quality and durability.

Decades of experience translate into superior knowledge and understanding of your needs, met through the finest innovative designs. When the day comes to buy a stairlift, come to us for advice and guidance.

Homeadapt stairlifts will provide you with years of dependable performance. Our stairlifts help you overcome the barriers that stairs in your home can create. Once again, you will be able to enjoy your entire house with your family and friends. A Bruno stairlift in your home allows you to stay in your home and enjoy it to the fullest!

Homeadapt stairlifts are exclusively sold and installed by our network of authorised dealers. You can be confident that your specific needs will be met in a friendly and professional manner.



CE
EN 81-40
ANSI-A18.1
CSA/c-US

HOMEADAPT UK LTD

Unit 5, Millennium Court
Water Tower Road
Neston, Wirral CH64 3UZ, UK
Phone: +44 (0)151 559 0732
Fax: +44 (0)151 353 8828
E-mail: info@homeadapt.com
www.homeadapt.com

Illustrations, descriptions and specifications in the brochure are based on current product information. Homeadapt UK Ltd. reserves the right to make changes without previous notification. © 2016 Homeadapt UK Ltd.



Obam Lift Services Ltd
Tillbridge Lane
Sturton-by-Stow
Lincoln
LN1 2BP
Tel: 01427 787532
www.obam.co.uk

"The best seat in the house"

Homeadapt Dealer